

# Gelato Freezers

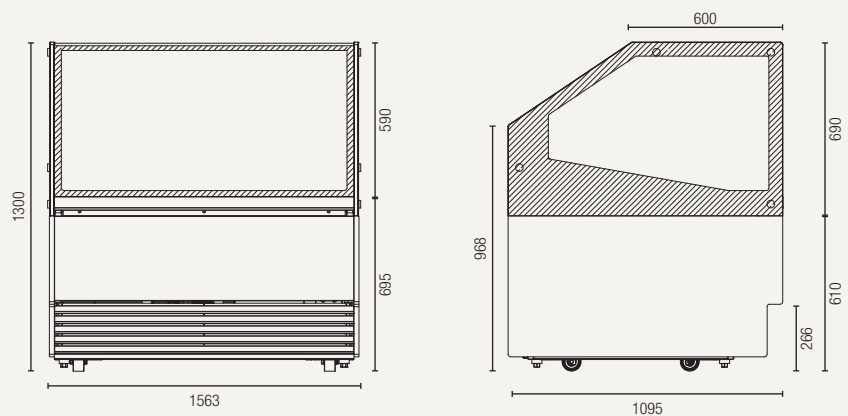
## Features:

- Digital temperature display and electronic controller
- Dynamic cooling system with auto defrosting
- Sliding flat glass doors
- Frequency/voltage: 50Hz/220-240 V

- Refrigerant: R290
- Castor wheels
- 60 mm thick insulation
- Ambient temperatures from +16°C to +32°C



## IC16T



**Gross volume:** 754 L

**Exterior dimensions in mm:** 1563w x 1095d x 1200h

**Number 5L tubs hold:** 16 (tubs not included)

**Temperature set range:** -16°C -18°C

**Gross/net weight:** 485/390 kg

**Energy consumption in 24h:** 27.4 kWh

**\$16,000.00+GST**