

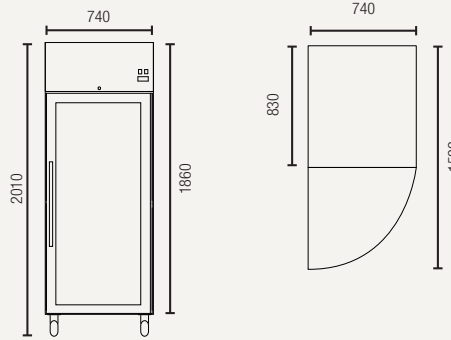
Upright Storage Refrigerators with Glass Door

Features:

- Lockable self closing glass doors with handles
- Digital controller and digital temperature display
- Dynamic fan forced cooling system with automatic defrosting
- Shelf to fit gastronom pan size GN2/1
- Frequency/voltage: 50Hz/220-240 V
- Stainless steel finish exterior and interior
- Plastic coated steel shelves
- Refrigerant: R290
- Lockable castor wheels
- Ambient temperatures from +16°C to +43°C



GSC650G



Allow min. 100mm clearance for installation, all vents must be left clear

Gross volume: 685 L

Exterior dimensions in mm: 740w x 830d x 2010h

Number of adjustable shelves: 3

Temperature set range: -2°C to +8°C

Gross/net weight: 147/132 kg

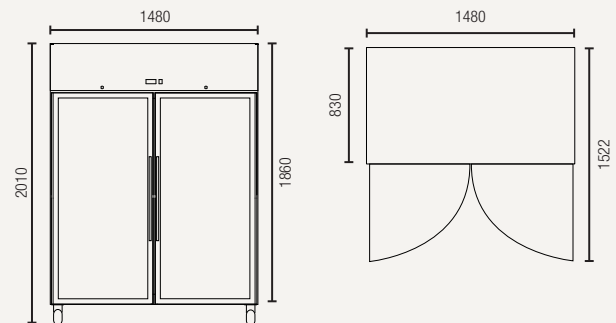
Energy consumption in 24h: 3.1 kWh

\$3,900.00+GST

GSC1410G



Bridge between shelves for maximum use of space



Allow min. 100mm clearance for installation, all vents must be left clear

Gross volume: 1476 L

Exterior dimensions in mm: 1480w x 830d x 2010h

Number of adjustable shelves: 6

Temperature set range: -2°C to +8°C

Gross/net weight: 233/208 kg

Energy consumption in 24h: 4.3 kWh

\$5,900.00+GST