

# Cake Display Refrigerators

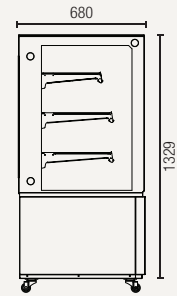
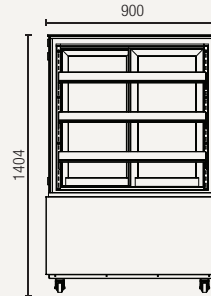
## Features:

- Digital temperature display and electronic controller
- Dynamic fan forced cooling system with auto defrosting
- Double layer glass for maximum insulation
- Black stainless steel finish
- Shelf material: frosted glass

- Sliding door for easy access
- LED internal light
- Refrigerant: R290
- Frequency/voltage: 50Hz/230 V
- Ambient temperatures from +16°C to +30°C



## CDR309



**Gross volume:** 390 L

**Exterior dimensions in mm:** 900w x 680d x 1404h

**Number of adjustable shelves:** 3

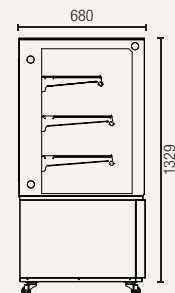
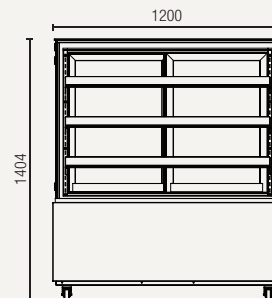
**Temperature set range:** +2°C to +6°C

**Gross/net weight:** 192/148 kg

**Energy consumption in 24h:** 7.105 kWh

**\$5,300.00+GST**

## CDR312



**Gross volume:** 540 L

**Exterior dimensions in mm:** 1200w x 680d x 1404h

**Number of adjustable shelves:** 3

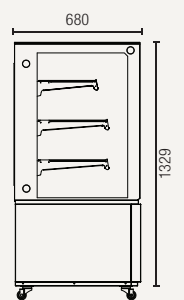
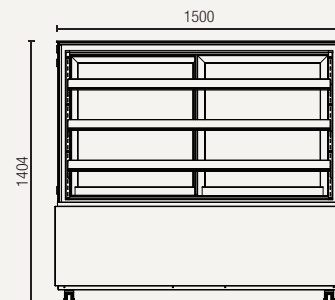
**Temperature set range:** +2°C to +6°C

**Gross/net weight:** 229.5/180 kg

**Energy consumption in 24h:** 8.374 kWh

**\$6,300.00+GST**

## CDR315



**Gross volume:** 680 L

**Exterior dimensions in mm:** 1500w x 680d x 1404h

**Number of adjustable shelves:** 3

**Temperature set range:** +2°C to +6°C

**Gross/net weight:** 269.5/211 kg

**Energy consumption in 24h:** 10.935 kWh

**\$7,500.00+GST**