

# Vaccine Refrigerators

## Features:

- Digital controller with digital temperature display
- Controller with USB port for data collection
- Dynamic fan forced cooling system with automatic defrosting
- Double glazed glass door
- White External and Interior Finish
- Internal LED light
- Frequency/voltage: 50Hz/220-240 V
- Leveling adjustable feet
- QCPP approved
- Plastic coated steel shelves
- Battery backup controller
- Refrigerant: R134a
- Ambient temperatures from +16°C to +32°C



## MV300



Controller with USB port for data collection

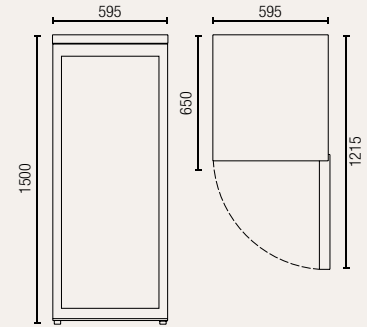


Product temperature probe for accurate temperature record



Battery backup for controller in case of power outage

controller with USB port



Quality Care Pharmacy Program  
An initiative of The Pharmacy Guild of Australia

**Gross/Net volume:** 308/300 L

**Exterior dimensions in mm:** 595w x 650d x 1500h

**Number of shelves:** 8

**Max. noise level:** 55 dB

**Temperature range:** +2°C to +8°C

**Gross/net weight:** 78/72 kg

**Energy consumption in 24h:** 2.9 kWh

## MV400



Controller with USB port for data collection

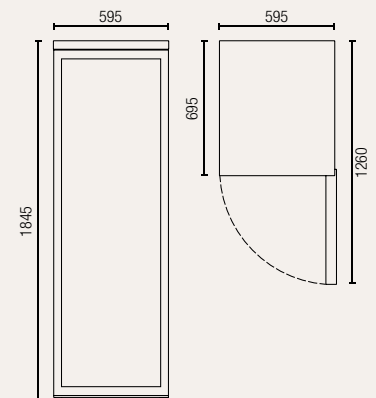


Product temperature probe for accurate temperature record



Battery backup for controller in case of power outage

controller with USB port



Quality Care Pharmacy Program  
An initiative of The Pharmacy Guild of Australia

**Gross/Net volume:** 408/400 L

**Exterior dimensions in mm:** 595w x 695d x 1845h

**Number of shelves:** 8

**Max. noise level:** 65 dB

**Temperature range:** +2°C to +8°C

**Gross/net weight:** 92/84 kg

**Energy consumption in 24h:** 3.1 kWh